

# AF09ZB ... AF38ZB 4-pole contactors

## 25 to 55 A AC-1

### DC operated - connection with standard ferrules



AF09ZB-40-00



AF26ZB-40-00

#### Description

AF09ZB ... AF38ZB 4-pole contactors comply with the latest railway rolling stock standards and allow installation in passengers or driver cabins for trains frequently operating tunnels or undergrounds. They are mainly used for controlling non-inductive or slightly inductive loads and generally for controlling power circuits up to 690 V AC and 440 V DC. These contactors are of the block type design with 4 main poles.

- designed in accordance to the applicable parts of IEC 60077 and EN 50155 standard
- shocks and vibration withstand conforming to IEC 61373 (category 1, class B)
- fire and smoke safety compliance to european standard EN 45545 (HL2, HL3 hazard levels)
- electronic coil interface accepting a wide DC control voltage range (0.85  $U_c$  min. ... 1.1  $U_c$  max. according to IEC 60947-4-1) including several  $U_c$  control voltages (0.7 ... 1.25  $U_c$  according to IEC 60077) used for battery supply
- low coil consumption
- built-in surge suppression
- side by side mounting without restriction from -40 °C up to +70 °C
- add-on auxiliary contact blocks for front or side mounting and a wide range of accessories.

#### Ordering details

IEC	UL / CSA	Supply control voltage $U_c$ (IEC 60077)	Rated control circuit voltage $U_c$ min. ... $U_c$ max. (IEC 60947-4-1)	Auxiliary contacts fitted	Type	Order code	Weight
Rated operational current $\theta \leq 40$ °C AC-1	General use rating 600 V AC	(1)	(1)				Pkg (1 pce)
A	A	V DC	V DC				kg

#### 4 N.O. main poles

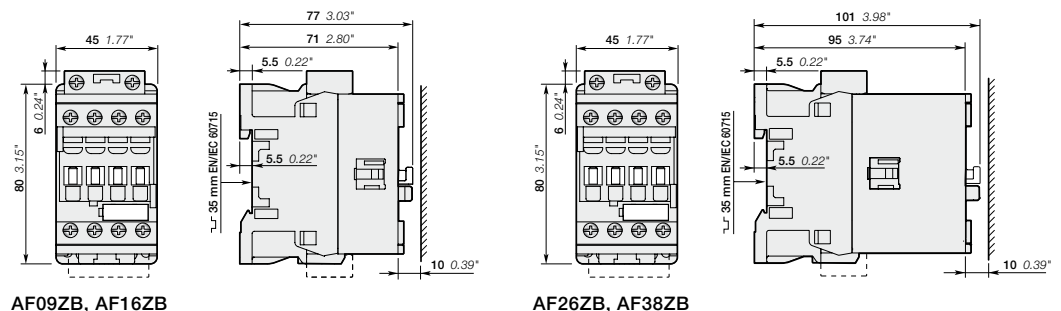
25	25	24, 33, 48	20...60	0 0	AF09ZB-40-00-21	1SBL136261R2100	0.31
		72, 96, 110	48...130	0 0	AF09ZB-40-00-22	1SBL136261R2200	0.31
		220	100...250	0 0	AF09ZB-40-00-23	1SBL136261R2300	0.31
30	30	24, 33, 48	20...60	0 0	AF16ZB-40-00-21	1SBL176261R2100	0.31
		72, 96, 110	48...130	0 0	AF16ZB-40-00-22	1SBL176261R2200	0.31
		220	100...250	0 0	AF16ZB-40-00-23	1SBL176261R2300	0.31
45	45	24, 33, 48	20...60	0 0	AF26ZB-40-00-21	1SBL236261R2100	0.41
		72, 96, 110	48...130	0 0	AF26ZB-40-00-22	1SBL236261R2200	0.41
		220	100...250	0 0	AF26ZB-40-00-23	1SBL236261R2300	0.41
55	55	24, 33, 48	20...60	0 0	AF38ZB-40-00-21	1SBL296261R2100	0.41
		72, 96, 110	48...130	0 0	AF38ZB-40-00-22	1SBL296261R2200	0.41
		220	100...250	0 0	AF38ZB-40-00-23	1SBL296261R2300	0.41

#### 2 N.O. + 2 N.C. main poles

25	25	24, 33, 48	20...60	0 0	AF09ZB-22-00-21	1SBL136561R2100	0.31
		72, 96, 110	48...130	0 0	AF09ZB-22-00-22	1SBL136561R2200	0.31
		220	100...250	0 0	AF09ZB-22-00-23	1SBL136561R2300	0.31
30	30	24, 33, 48	20...60	0 0	AF16ZB-22-00-21	1SBL176561R2100	0.31
		72, 96, 110	48...130	0 0	AF16ZB-22-00-22	1SBL176561R2200	0.31
		220	100...250	0 0	AF16ZB-22-00-23	1SBL176561R2300	0.31
45	45	24, 33, 48	20...60	0 0	AF26ZB-22-00-21	1SBL236561R2100	0.41
		72, 96, 110	48...130	0 0	AF26ZB-22-00-22	1SBL236561R2200	0.41
		220	100...250	0 0	AF26ZB-22-00-23	1SBL236561R2300	0.41
55	55	24, 33, 48	20...60	0 0	AF38ZB-22-00-21	1SBL296561R2100	0.41
		72, 96, 110	48...130	0 0	AF38ZB-22-00-22	1SBL296561R2200	0.41
		220	100...250	0 0	AF38ZB-22-00-23	1SBL296561R2300	0.41

(1) Other control voltages, see voltage code table.

#### Main dimensions mm, inches



AF09ZB, AF16ZB

AF26ZB, AF38ZB

# AF09(Z)B ... AF38(Z)B 4-pole contactors

## 25 to 55 A AC-1

### AC operated - connection with standard ferrules



AF09ZB-40-00



AF26ZB-40-00

#### Description

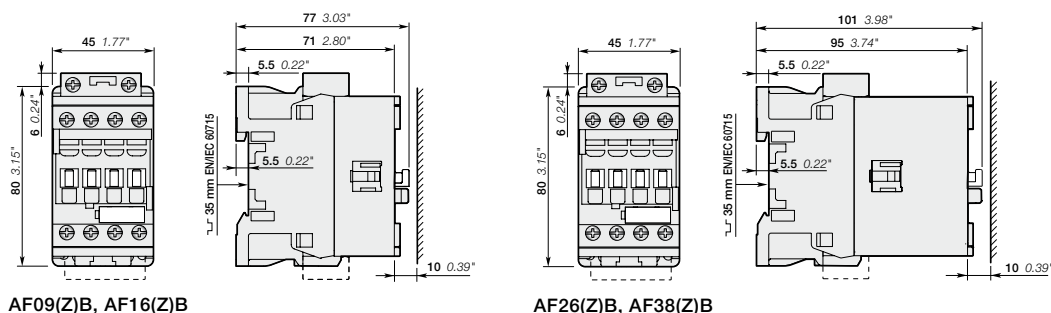
AF09(Z)B ... AF38(Z)B 4-pole contactors comply with the latest railway rolling stock standards and allow installation in passenger or driver cabins for trains frequently operating tunnels or undergrounds. They are mainly used for controlling non-inductive or slightly inductive loads and generally for controlling power circuits up to 690 V AC and 440 V DC. These contactors are of the block type design with 4 main poles.

- designed in accordance to the applicable parts of IEC 60077 and EN 50155 standard
- shocks and vibration withstand conforming to IEC 61373 (category 1, class B)
- fire and smoke safety compliance to european standard EN 45545 (HL2, HL3 hazard levels)
- electronic coil interface accepting sinusoidal AC 50/60 Hz control supplies included inside the wide control voltage range  $U_c \text{ min.} \dots U_c \text{ max.}$  of the contactor. Max. permitted control voltage must not be exceeded during voltage fluctuation defined according to IEC 60077 or EN 50155 (see technical data)
- built-in surge suppression and side by side mounting without restriction from  $-40^\circ \text{ C}$  up to  $+70^\circ \text{ C}$
- add-on auxiliary contact blocks for front or side mounting and a wide range of accessories.

#### Ordering details

IEC	UL / CSA	Rated control circuit voltage $U_c \text{ min.} \dots U_c \text{ max.}$ (IEC 60947-4-1)	Auxiliary contacts fitted	Type	Order code	Weight
Rated operational current $\theta \leq 40^\circ \text{ C}$ AC-1	General use rating  600 V AC					Pkg (1 pce)  kg
<b>4 N.O. main poles</b>						
25	25	24...60	0 0	AF09ZB-40-00-21	1SBL136261R2100	0.31
		48...130	0 0	AF09ZB-40-00-22	1SBL136261R2200	0.31
		100...250	0 0	AF09ZB-40-00-23	1SBL136261R2300	0.31
		250...500	0 0	AF09B-40-00-14	1SBL137261R1400	0.31
30	30	24...60	0 0	AF16ZB-40-00-21	1SBL176261R2100	0.31
		48...130	0 0	AF16ZB-40-00-22	1SBL176261R2200	0.31
		100...250	0 0	AF16ZB-40-00-23	1SBL176261R2300	0.31
		250...500	0 0	AF16B-40-00-14	1SBL177261R1400	0.31
45	45	24...60	0 0	AF26ZB-40-00-21	1SBL236261R2100	0.41
		48...130	0 0	AF26ZB-40-00-22	1SBL236261R2200	0.41
		100...250	0 0	AF26ZB-40-00-23	1SBL236261R2300	0.41
		250...500	0 0	AF26B-40-00-14	1SBL237261R1400	0.41
55	55	24...60	0 0	AF38ZB-40-00-21	1SBL296261R2100	0.41
		48...130	0 0	AF38ZB-40-00-22	1SBL296261R2200	0.41
		100...250	0 0	AF38ZB-40-00-23	1SBL296261R2300	0.41
		250...500	0 0	AF38B-40-00-14	1SBL297261R1400	0.41
<b>2 N.O. + 2 N.C. main poles</b>						
25	25	24...60	0 0	AF09ZB-22-00-21	1SBL136561R2100	0.31
		48...130	0 0	AF09ZB-22-00-22	1SBL136561R2200	0.31
		100...250	0 0	AF09ZB-22-00-23	1SBL136561R2300	0.31
		250...500	0 0	AF09B-22-00-14	1SBL137561R1400	0.31
30	30	24...60	0 0	AF16ZB-22-00-21	1SBL176561R2100	0.31
		48...130	0 0	AF16ZB-22-00-22	1SBL176561R2200	0.31
		100...250	0 0	AF16ZB-22-00-23	1SBL176561R2300	0.31
		250...500	0 0	AF16B-22-00-14	1SBL177561R1400	0.31
45	45	24...60	0 0	AF26ZB-22-00-21	1SBL236561R2100	0.41
		48...130	0 0	AF26ZB-22-00-22	1SBL236561R2200	0.41
		100...250	0 0	AF26ZB-22-00-23	1SBL236561R2300	0.41
		250...500	0 0	AF26B-22-00-14	1SBL237561R1400	0.41
55	55	24...60	0 0	AF38ZB-22-00-21	1SBL296561R2100	0.41
		48...130	0 0	AF38ZB-22-00-22	1SBL296561R2200	0.41
		100...250	0 0	AF38ZB-22-00-23	1SBL296561R2300	0.41
		250...500	0 0	AF38B-22-00-14	1SBL297561R1400	0.41

#### Main dimensions mm, inches



AF09(Z)B, AF16(Z)B

AF26(Z)B, AF38(Z)B

1SBC10012050201